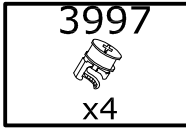
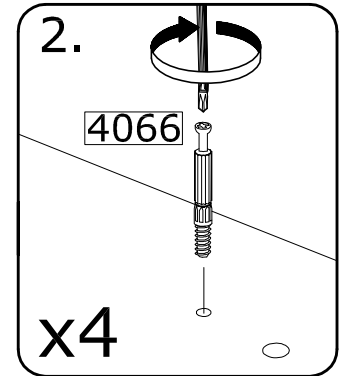
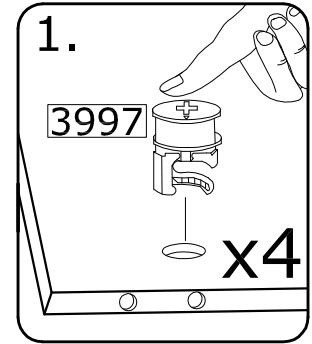
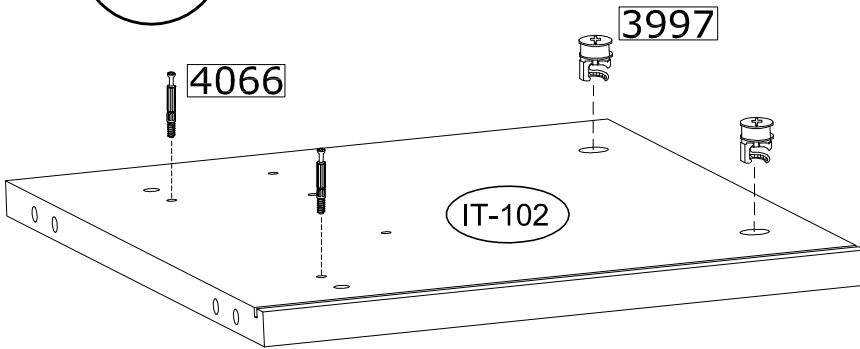




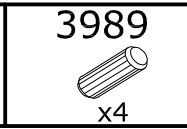
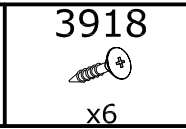
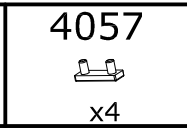
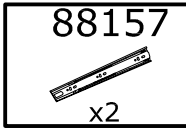
# 1



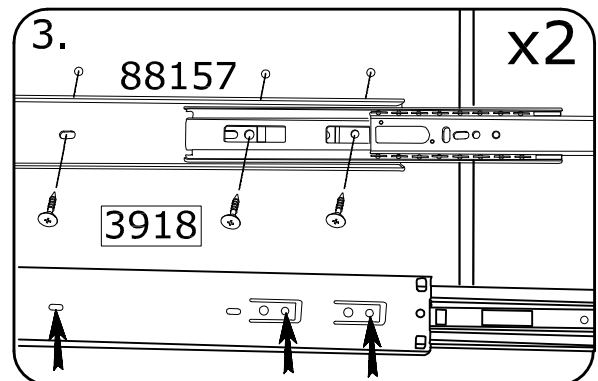
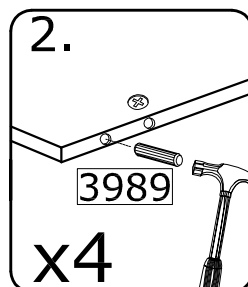
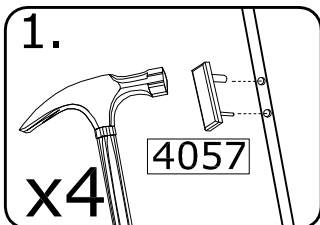
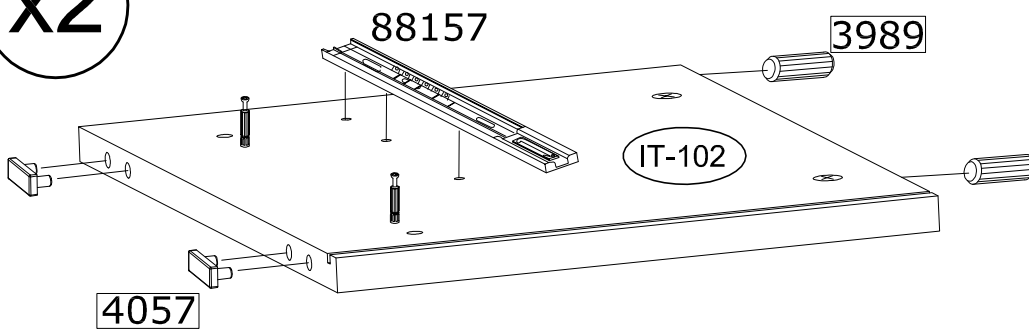
x2



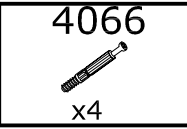
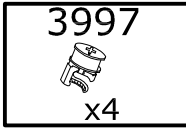
# 2



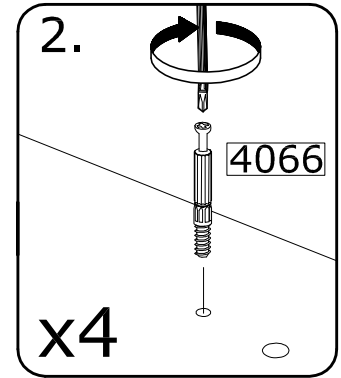
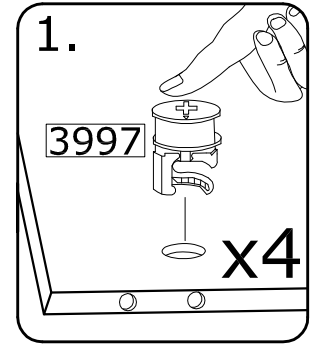
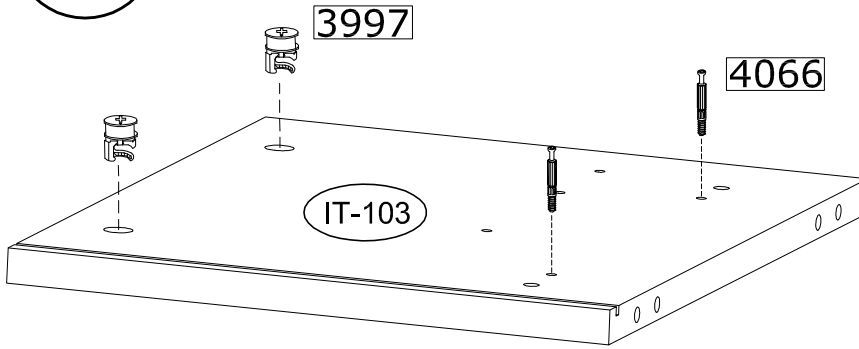
x2



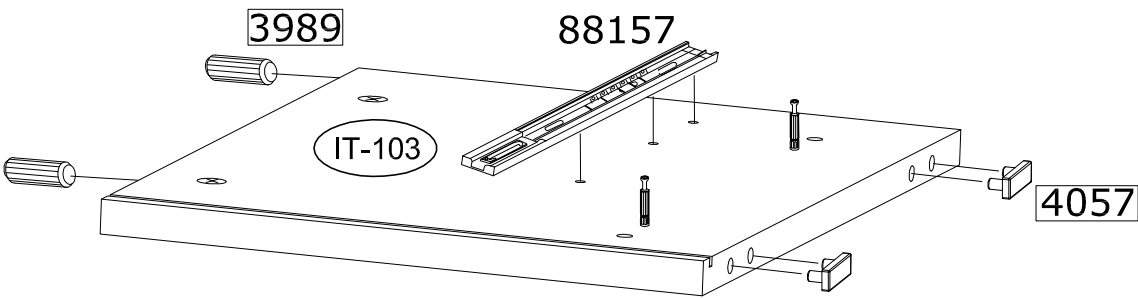
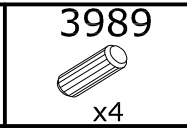
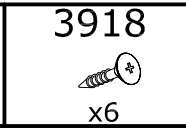
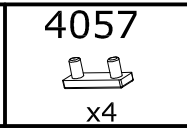
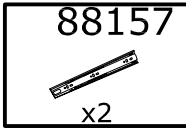
# 3



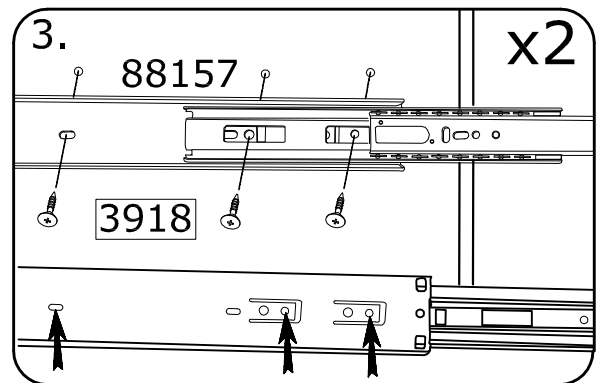
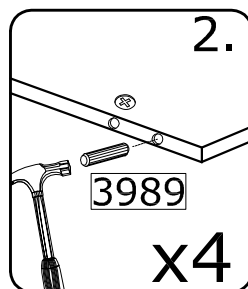
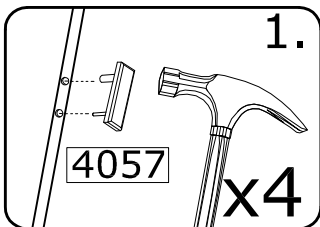
x2




# 4




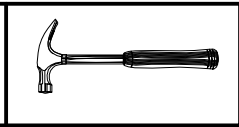
x2



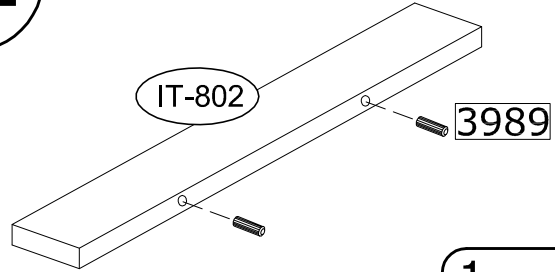
5

3989  x4
--

3983  x1
--



x2




1.

3989 3983

1.0h

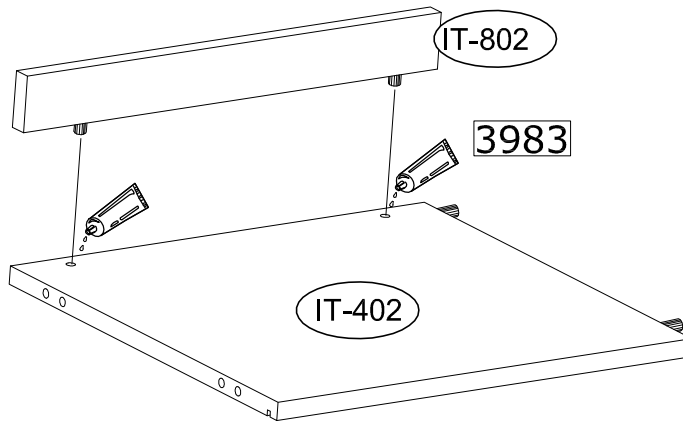
x4

6

3983  x1
---



x2



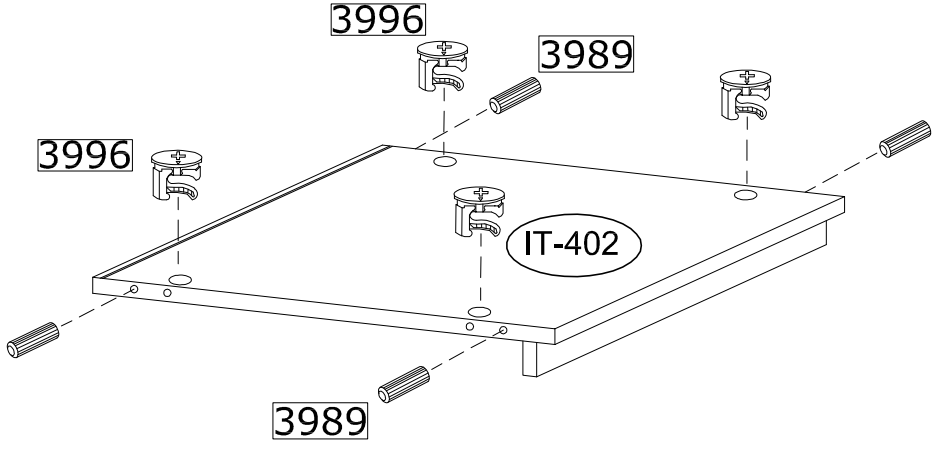
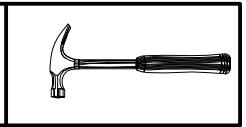
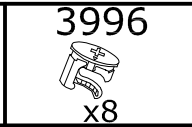
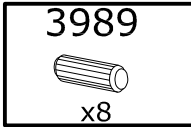
1.

3983

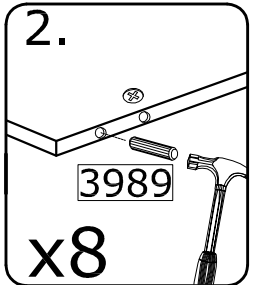
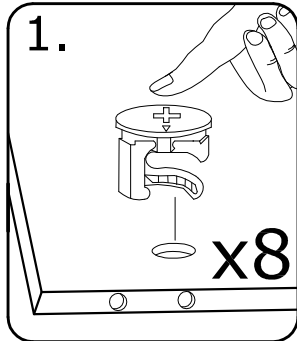
1.0h

x4

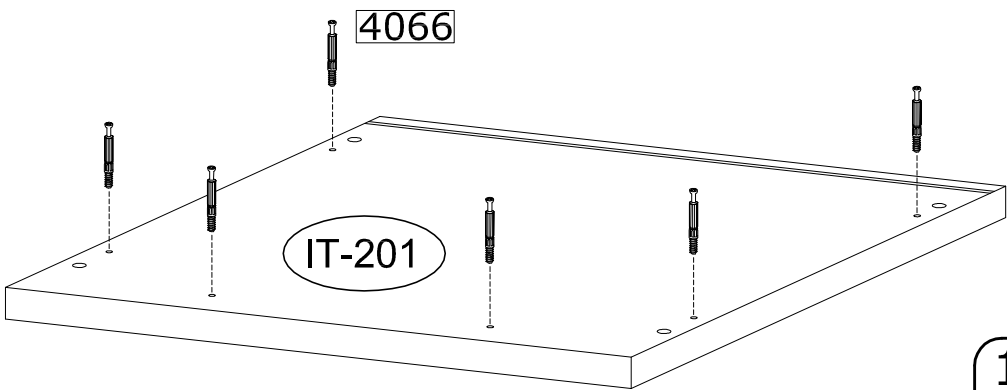
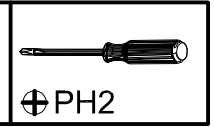
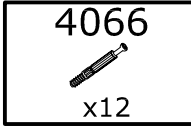
# 7



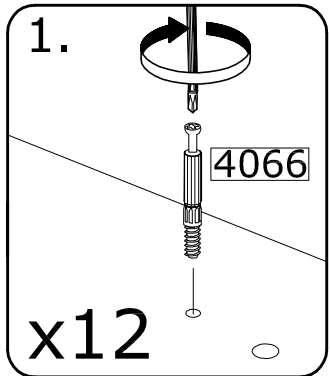
x2



# 8



x2

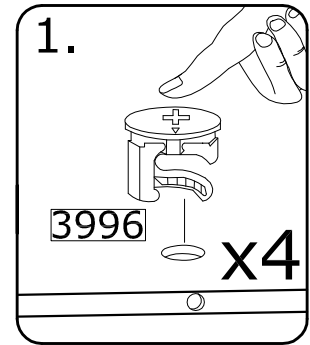
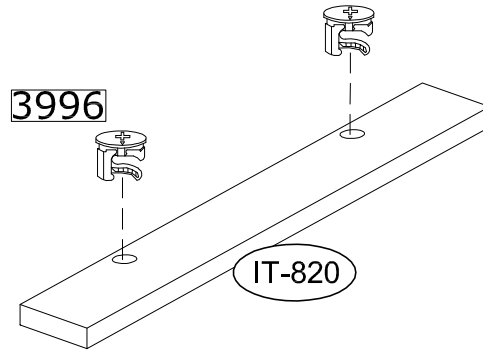




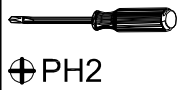
# 9

3996  
  
x4

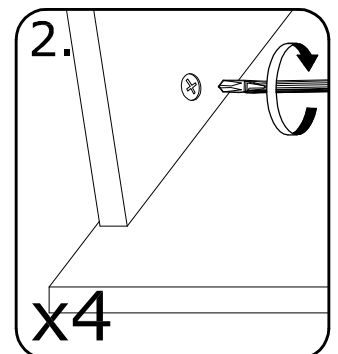
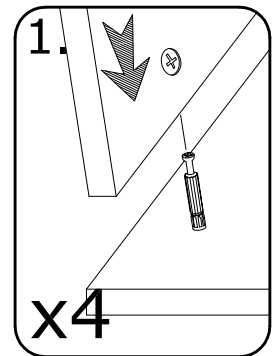
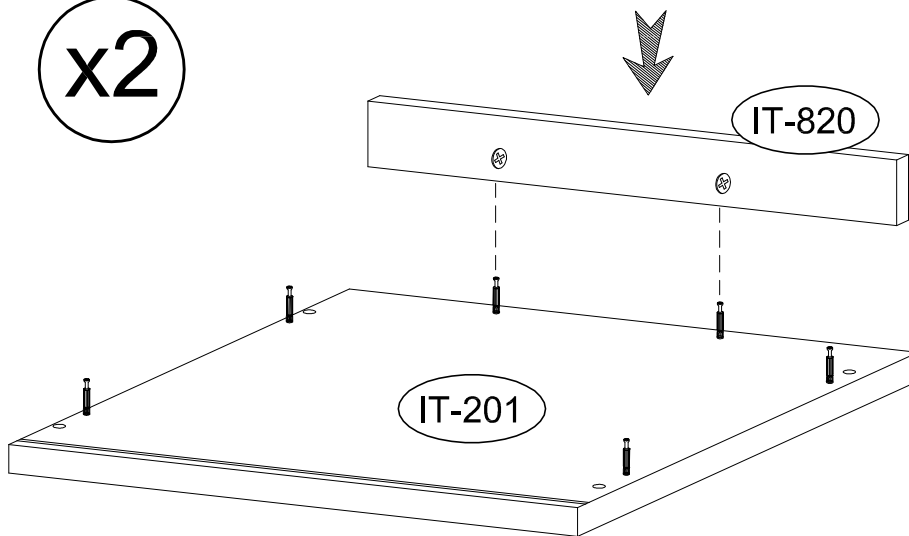
x2



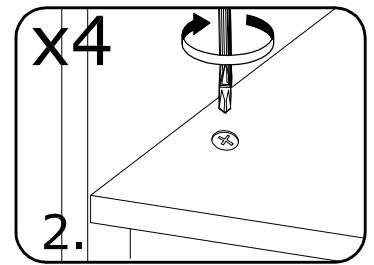
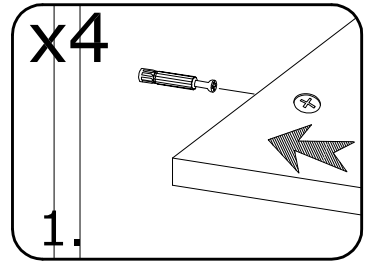
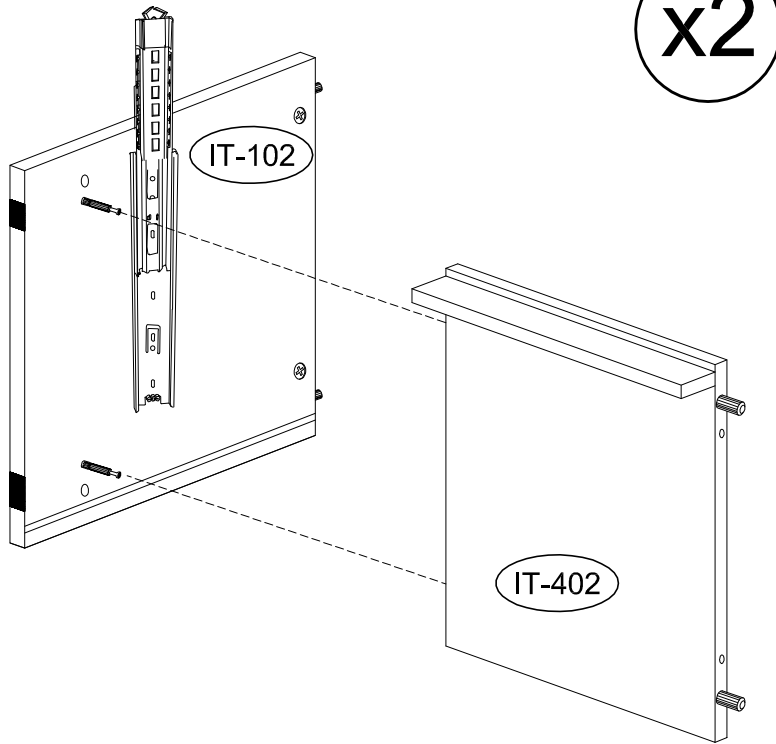
# 10



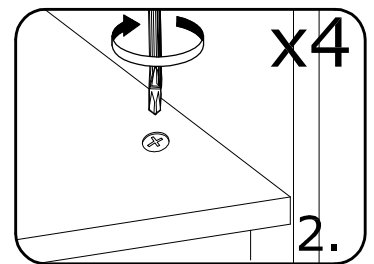
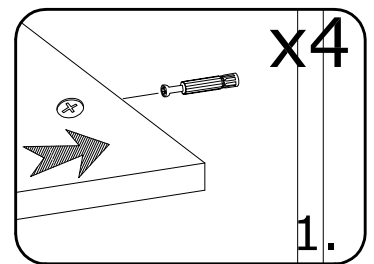
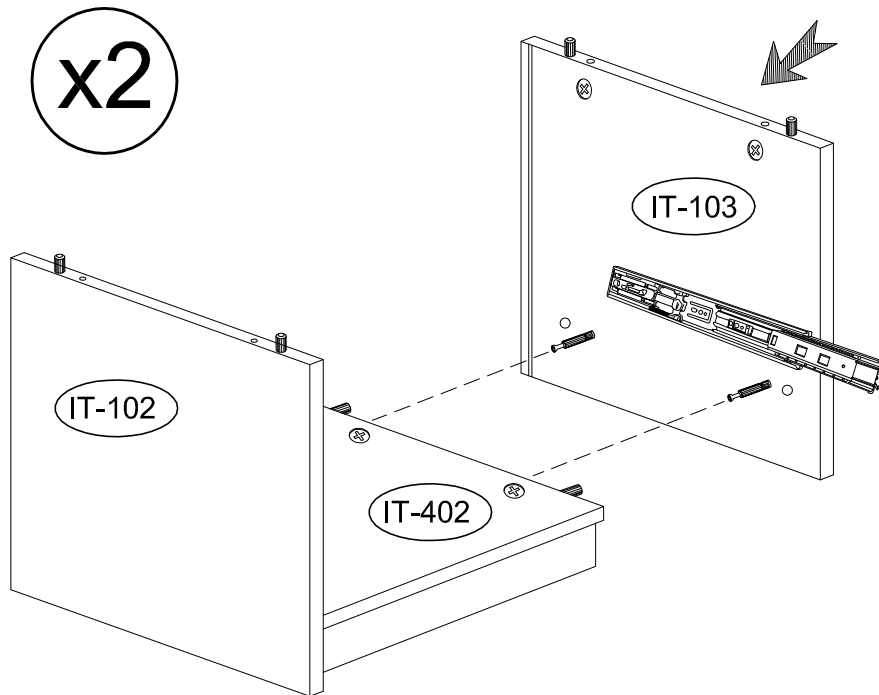
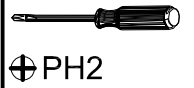
x2



# 11

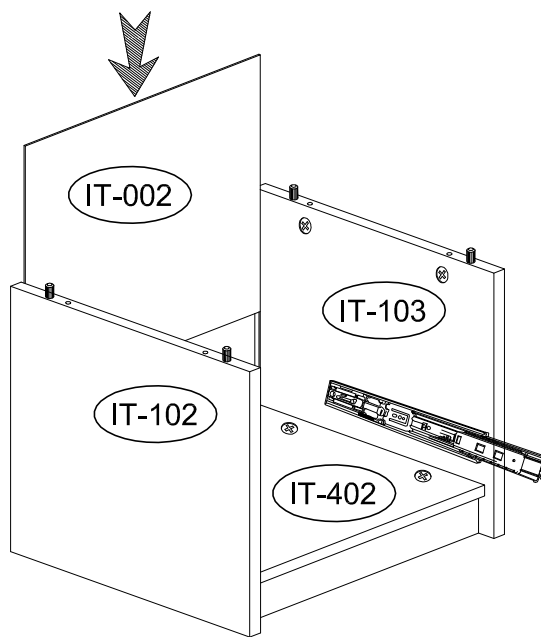


# 12



# 13

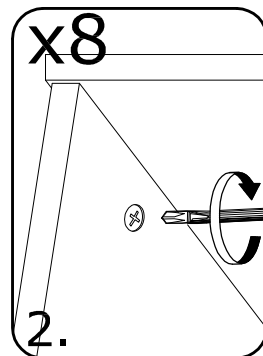
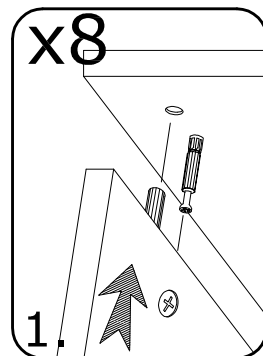
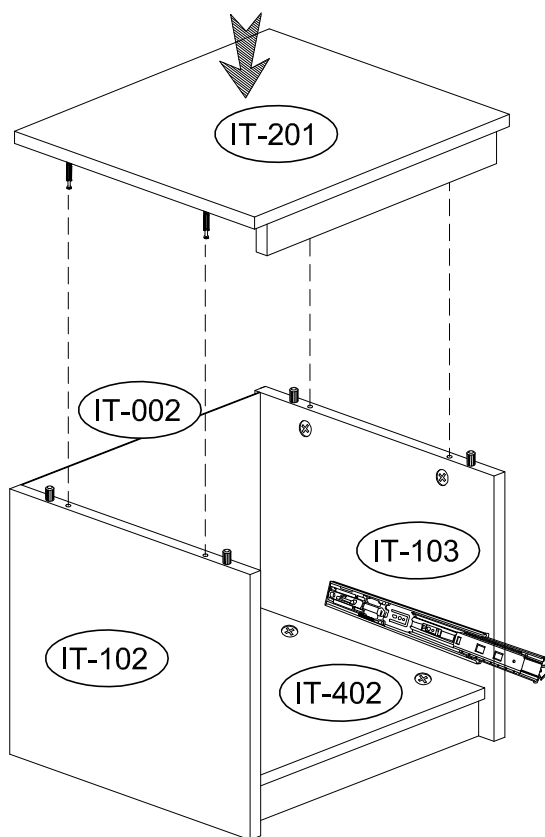
x2



# 14



x2

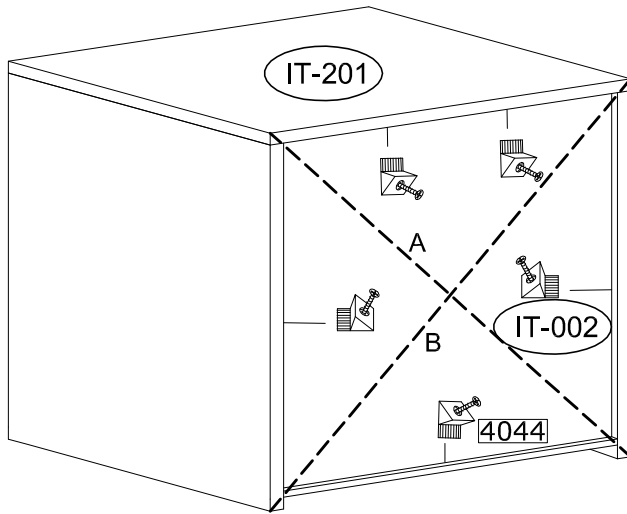


# 15

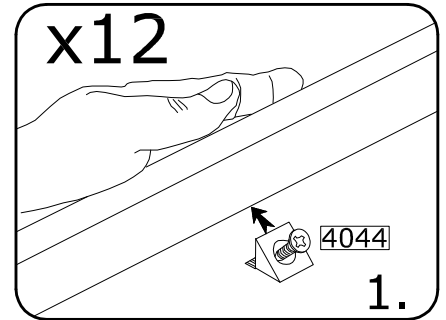
4044



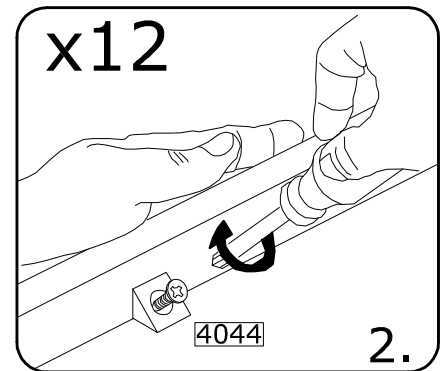
x2



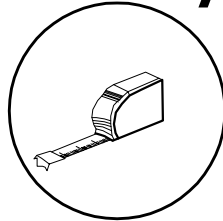
x12



x12



A=B



# 16

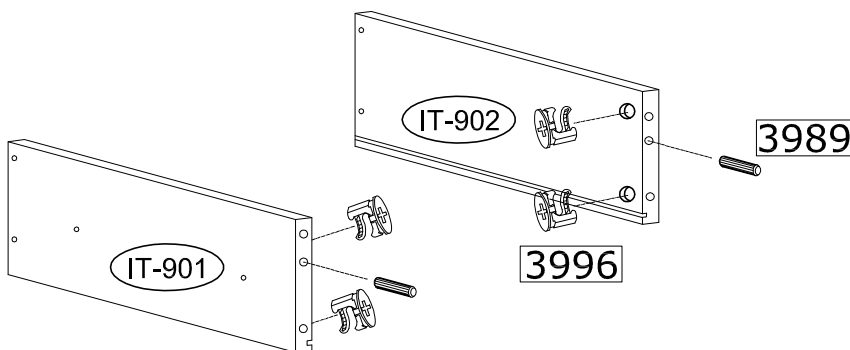
3996



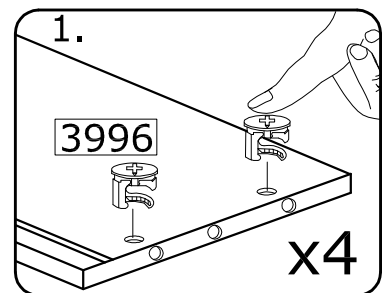
3989



x2

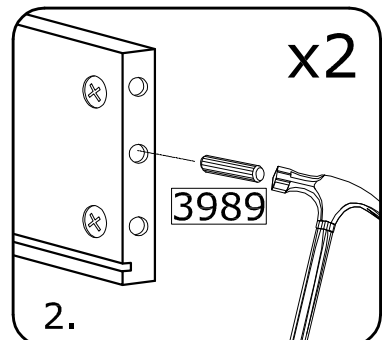


1.



x4

x2

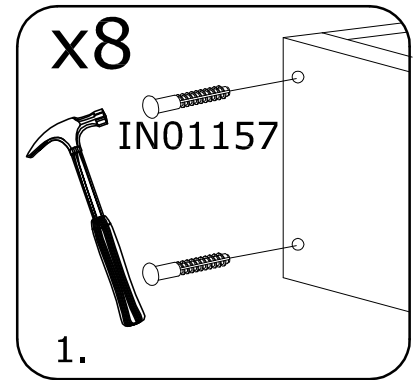
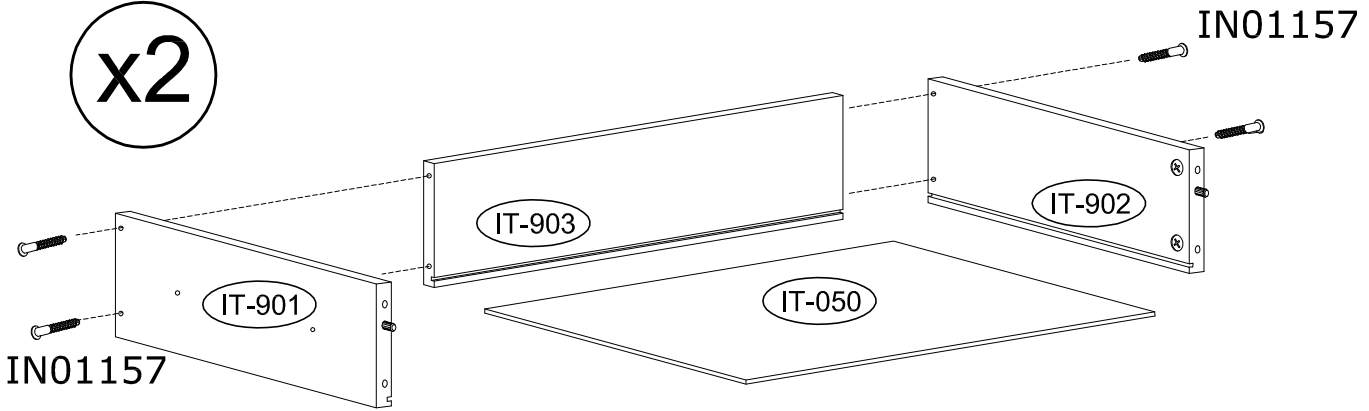


# 17

IN01157



x2

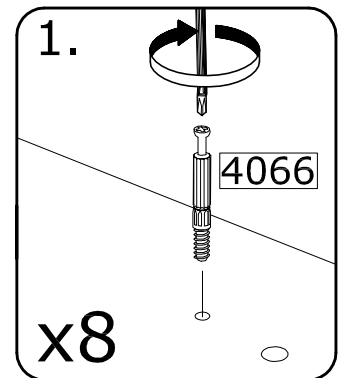
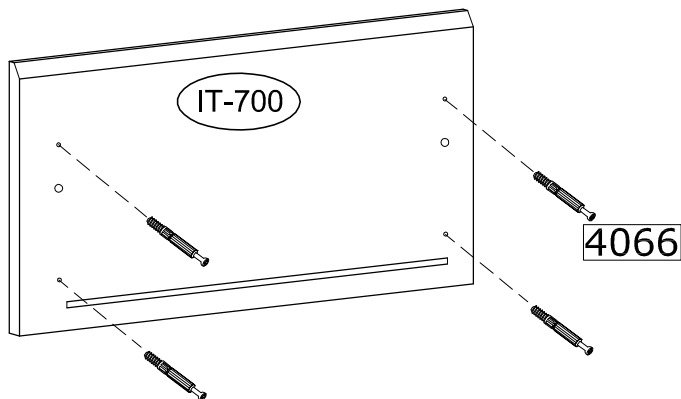


# 18

4066

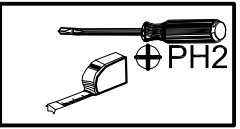


x2

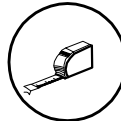
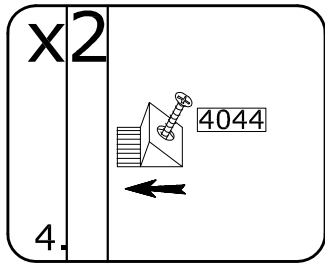
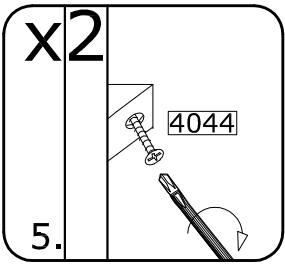
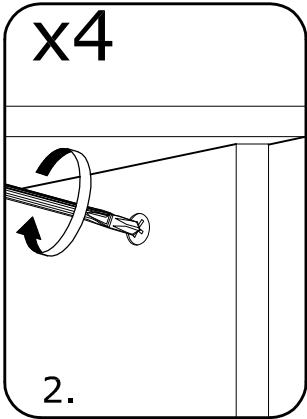
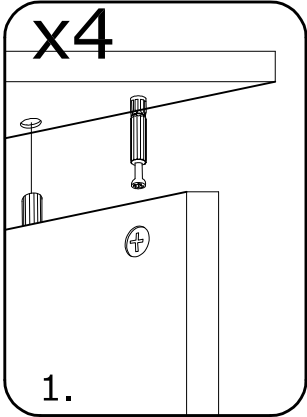
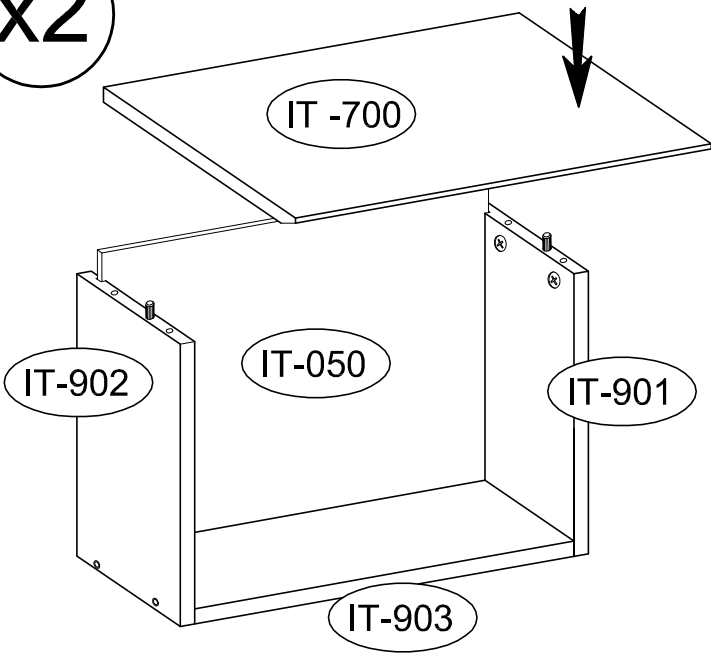


# 19

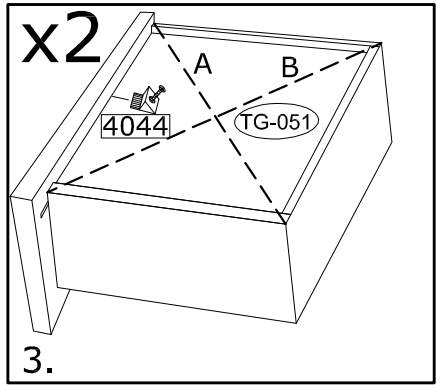
4044  
x2



x2



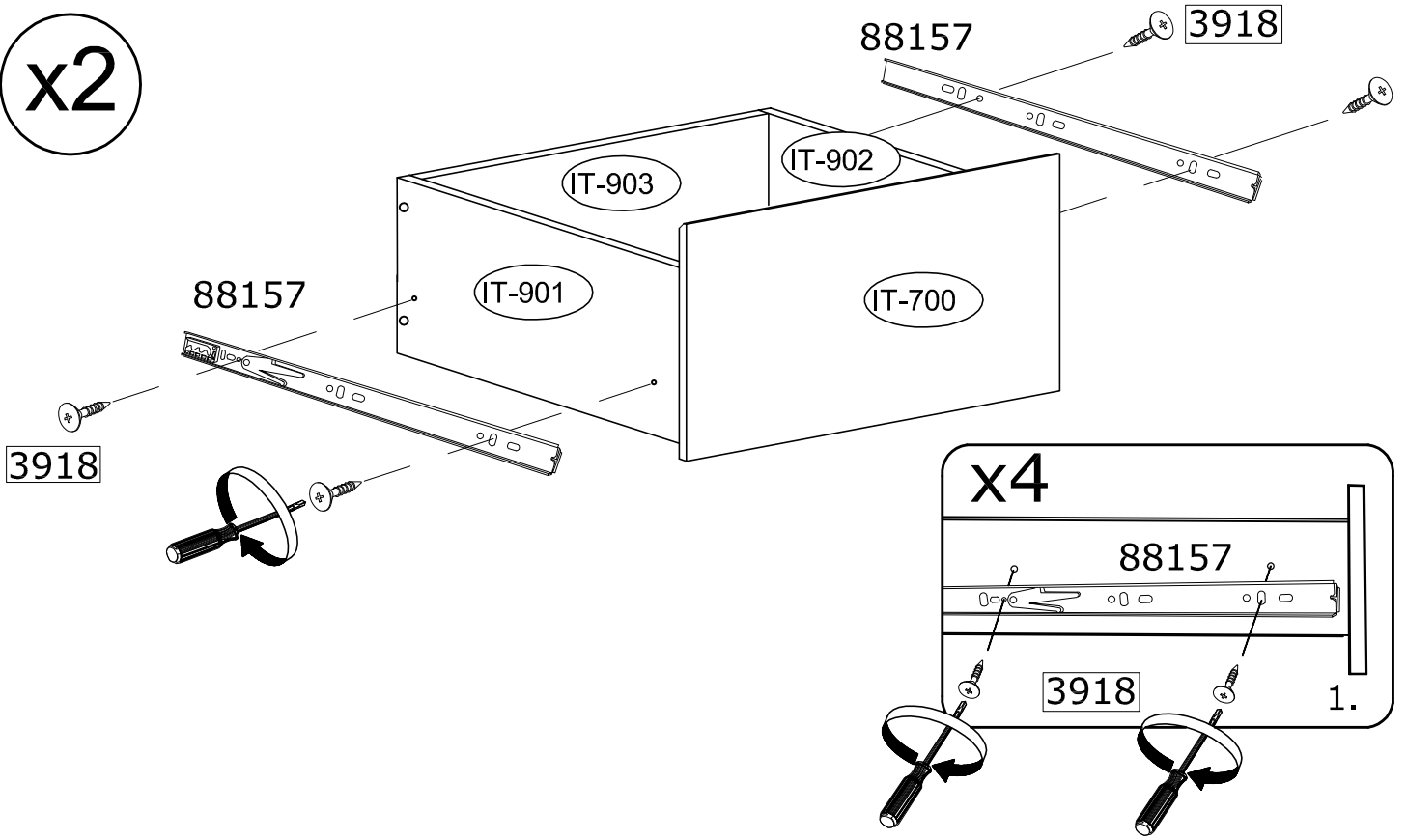
A=B



# 20

88157  x4	3918  x8		 ⊕ PH2
---	--	--	---

x2



# 21

3918  x4	136236  x28		 ⊕ PH2
---	--	--	--

x2

